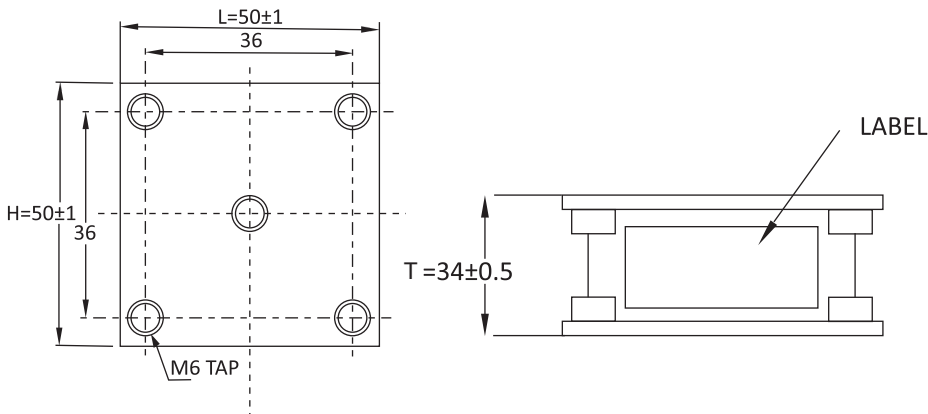


金属化薄膜电容器

Water Cooled Resonant Capacitor

MX41-BB1



参数表.Article Table

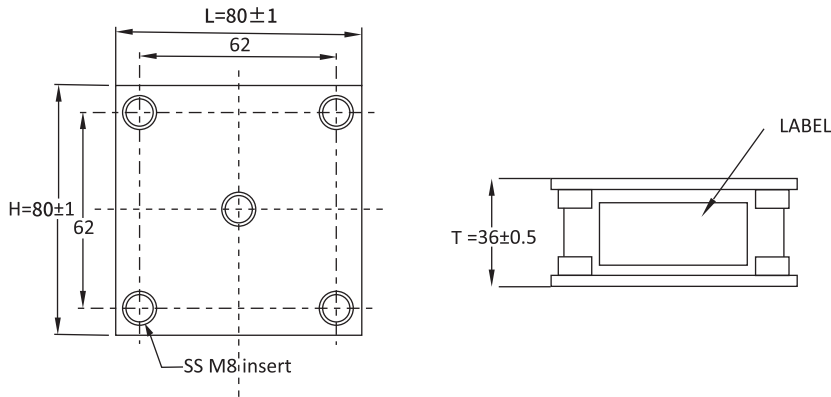
Part Number	Rated Voltage Vrms	Nominal Capacitance µF at 1Khz	Max Irms A	Max Power kVar	Freq Range @Full Power (kHz)	ESR mΩ	Dimension (mm)			Case Code
							L	H	T	
MX41701334KBB1201...	700	0.33	300	200	196-216	1.0	50	50	36	BB1
MX41601664KBB1201...	600	0.66	350	200	135-149	0.8	50	50	36	BB1
MX41501125KBB1201...	500	1.20	400	200	105-105	0.5	50	50	36	BB1
MX41501155KBB1201...	500	1.50	400	200	85-108	0.3	50	50	36	BB1
MX41401334KBB1201...	400	2.60	550	200	80-96	0.2	50	50	36	BB1

Part Number	Rated Voltage Vrms	Nominal Capacitance µF at 1Khz	Max Irms A	Max Power kVar	Freq Range @Full Power (kHz)	ESR mΩ	Dimension (mm)			Case Code
							L	H	T	
MX41102104KBB1301...	1000	0.10	350	300	476-649	1.2	50	50	36	BB1
MX41102204KBB1301...	1000	0.20	400	300	238-423	1.2	50	50	36	BB1
MX41701254KBB1301...	700	0.25	500	300	390-530	1.2	50	50	36	BB1
MX41701334KBB1301...	700	0.33	500	300	295-401	1.0	50	50	36	BB1
MX41701664KBB1301...	700	0.66	500	300	147-200	0.8	50	50	36	BB1
MX41601105KBB1301...	600	1.00	650	300	132-223	0.5	50	50	36	BB1
MX41601125KBB1301...	600	1.20	650	300	111-187	0.5	50	50	36	BB1
MX41601135KBB1301...	600	1.32	650	300	100-170	0.3	50	50	36	BB1
MX41501245KBB1301...	500	2.40	650	300	80-97	0.2	50	50	36	BB1
MX41102104KBB1301...	1000	0.10	350	300	476-649	1.2	50	50	36	BB1

金属化薄膜电容器

Water Cooled Resonant Capacitor

MX41-BB2



参数表.Article Table

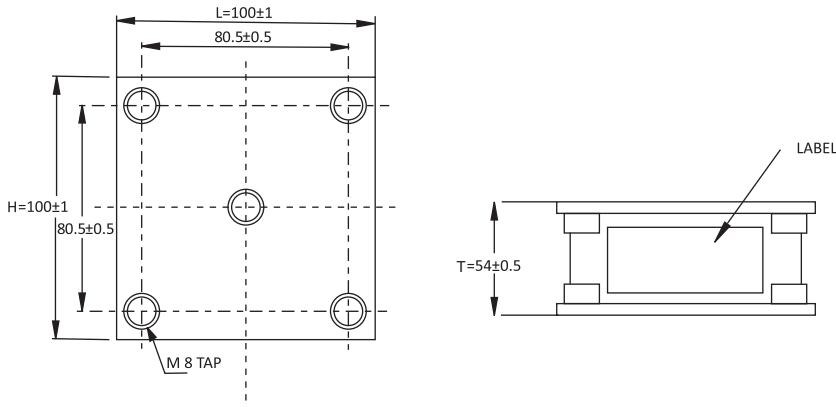
Part Number	Rated Voltage Vrms	Nominal Capacitance µF at 1Khz	Max Irms A	Max Power kVar	Freq Range @Full Power (kHz)	ESR mΩ	Dimension (mm)			Case Code
							L	H	T	
MX41701254KBB2301...	700	0.25	500	300	390-530	1.2	80	80	36	BB2
MX41701334KBB2301...	700	0.33	500	300	295-401	1.0	80	80	36	BB2
MX41701664KBB2301...	700	0.66	500	300	147-200	0.8	80	80	36	BB2
MX41601105KBB2301...	600	1.00	650	300	132-223	0.5	80	80	36	BB2
MX41601125KBB2301...	600	1.20	650	300	111-187	0.5	80	80	36	BB2
MX41601135KBB2301...	600	1.32	650	300	100-170	0.3	80	80	36	BB2
MX41501245KBB2301...	500	2.40	650	300	80-97	0.2	80	80	36	BB2
MX41501265KBB2301...	600	2.60	650	300	72-85	0.2	80	80	36	BB2
MX41401505KBB2301...	400	5.00	800	300	59-67	0.1	80	80	36	BB2

Part Number	Rated Voltage Vrms	Nominal Capacitance µF at 1Khz	Max Irms A	Max Power kVar	Freq Range @Full Power (kHz)	ESR mΩ	Dimension (mm)			Case Code
							L	H	T	
MX41102334KBB2401...	1000	0.33	600	400	194-433	1.0	80	80	36	BB2
MX41102664KBB2401...	1000	0.66	600	400	95-216	0.8	80	80	36	BB2
MX41901125KBB2401...	900	1.20	850	400	66-239	0.3	80	80	36	BB2
MX41901135KBB2401...	900	1.32	850	400	58-215	0.3	80	80	36	BB2
MX41701265KBB2401...	700	2.60	950	400	51-138	0.2	80	80	36	BB2
MX41501505KBB2401...	500	5.00	1000	400	50-80	0.1	80	80	36	BB2
MX41102334KBB2401...	1000	0.33	600	400	194-433	1.0	80	80	36	BB2
MX41102664KBB2401...	1000	0.66	600	400	95-216	0.8	80	80	36	BB2
MX41901125KBB2401...	900	1.20	850	400	66-239	0.3	80	80	36	BB2

金属化薄膜电容器

Water Cooled Resonant Capacitor

MX41-BB3



参数表.Article Table

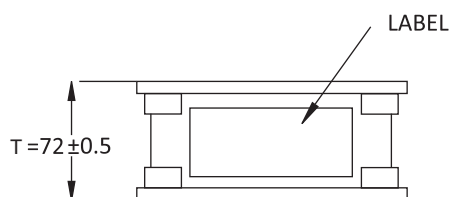
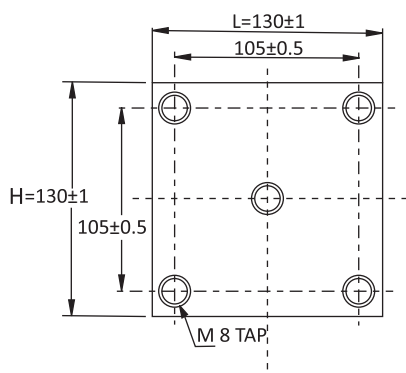
Part Number	Rated Voltage Vrms	Nominal Capacitance μF at 1Khz	Max Irms A	Max Power kVar	Freq Range @Full Power (kHz)	ESR m Ω	Dimension (mm)			Case Code
							L	H	T	
MX41601655KBB3401...	600	6.50	1000	400	27-62	1.2	100	100	54	BB3
MX41601855KBB3401...	600	8.50	1000	400	30-47	1.0	100	100	54	BB3
MX41601106KBB3401...	600	10.00	1000	400	18-40	0.8	100	100	54	BB3
MX41501206KBB3401...	500	20.00	1000	400	13-15	0.6	100	100	54	BB3
MX41401406KBB3401...	400	40.00	1000	400	10	0.4	100	100	54	BB3

Part Number	Rated Voltage Vrms	Nominal Capacitance μF at 1Khz	Max Irms A	Max Power kVar	Freq Range @Full Power (kHz)	ESR m Ω	Dimension (mm)			Case Code
							L	H	T	
MX41112125KBB3501...	1100	1.2	600	500	55-96	1.5	100	100	54	BB3
MX41112145KBB3501...	1100	1.4	600	500	46-83	1.2	100	100	54	BB3
MX41751305KBB3501...	750	3.0	800	500	47-68	1.1	100	100	54	BB3
MX41751335KBB3501...	750	3.3	800	500	43-62	1.0	100	100	54	BB3
MX41901405KBB3501...	900	4.0	700	500	25-39	0.9	100	100	54	BB3
MX41701565KBB3501...	700	5.6	1000	500	29-57	0.9	100	100	54	BB3
MX41701635KBB3501...	700	6.3	1000	500	26-51	0.8	100	100	54	BB3
MX41701855KBB3501...	700	8.5	1000	500	19-38	0.7	100	100	54	BB3
MX41701106KBB3501...	700	10	1000	500	16-32	0.6	100	100	54	BB3
MX41501216KBB3501...	500	21	1000	500	15	0.4	100	100	54	BB3
MX41551276KBB3501...	500	27	1000	500	10-12	0.3	100	100	54	BB3
MX41501336KBB3501...	500	33	1000	500	10	0.3	100	100	54	BB3
MX41501376KBB3501...	500	37	1000	500	9	0.2	100	100	54	BB3

金属化薄膜电容器

Water Cooled Resonant Capacitor

MX41-BB4



参数表.Article Table

Part Number	Rated Voltage Vrms	Nominal Capacitance µF at 1Khz	Max Irms A	Max Power kVar	Freq Range @Full Power (kHz)	ESR mΩ	Dimension (mm)			Case Code
							L	H	T	
MX41102505KBB4701...	1000	5.0	800	700	22-29	0.7	130	130	72	BB4
MX41901905KBB4701...	900	9.0	900	700	15.3-20	0.6	130	130	72	BB4
MX41851126KBB4701...	850	12.0	1000	700	19-19	0.55	130	130	72	BB4
MX41851146KBB4701...	850	14.0	1000	700	11-16.2	0.5	130	130	72	BB4
MX41801196KBB4701...	800	19.0	1000	700	9.2-12	0.4	130	130	72	BB4
MX41701256KBB4701...	700	25.0	1050	700	9-11	0.35	130	130	72	BB4
MX41701276KBB4701...	700	27.0	1100	700	8.4-10.2	0.3	130	130	72	BB4
MX41601336KBB4701...	600	33.0	1150	700	6.9-9.1	0.2	130	130	72	BB4
MX41601466KBB4701...	600	46.0	1200	700	6.7-7.1	0.15	130	130	72	BB4
MX41601636KBB4701...	600	63.0	1200	700	4.5-5.7	0.1	130	130	72	BB4
MX41501806KBB4701...	500	80.0	1400	700	5.6-5.6	0.0	130	130	72	BB4
MX41501856KBB4701...	500	85.0	1400	700	5.2-2.2	0.07	130	130	72	BB4

以上表格/图形仅供参考, 以实物为准, (单位:mm)

The above table / graphics are for reference only, subject to the actual product (unit: mm)